

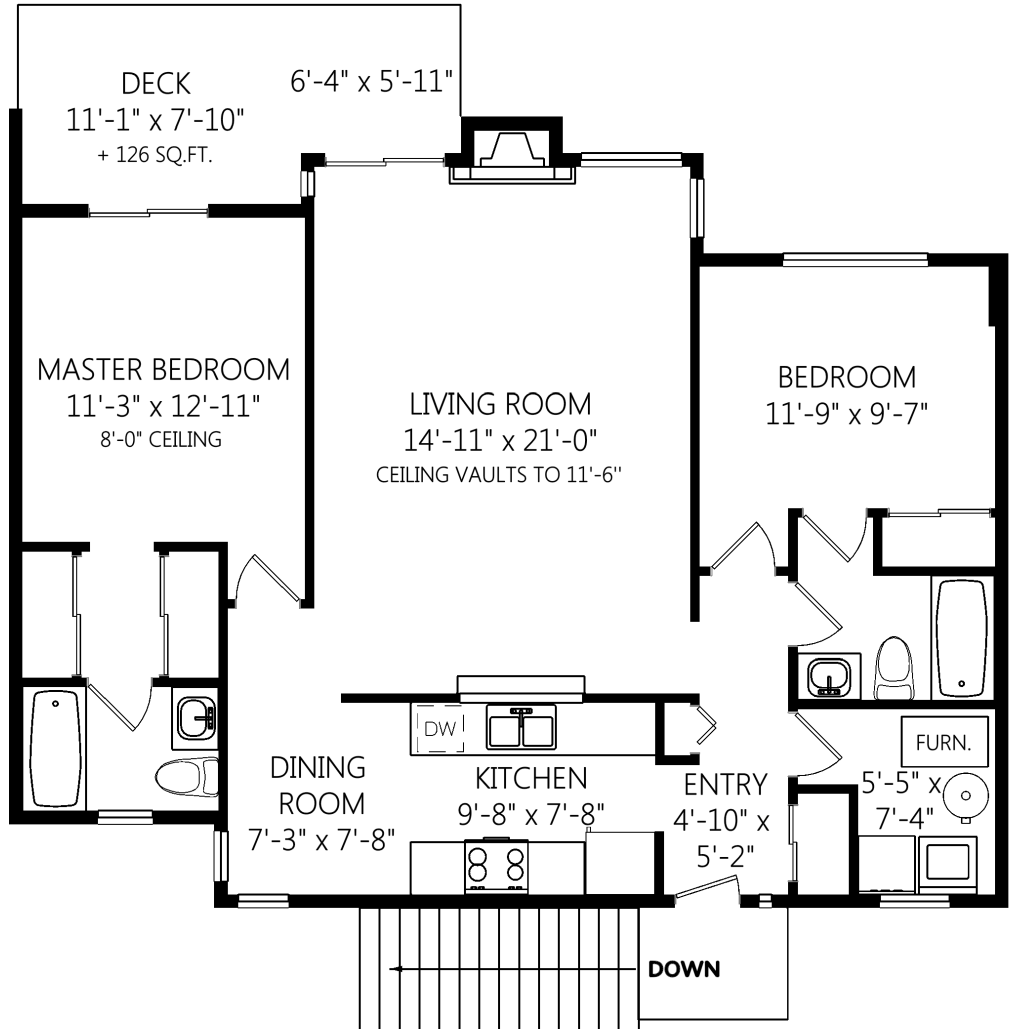
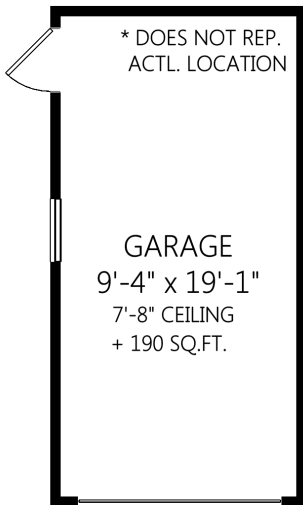
SINGLE LEVEL

1055 FINISHED SQ.FT.

+ ADDNL. SQ.FT. WHERE NOTED

DETACHED GARAGE

+ ADDNL. SQ.FT. WHERE NOTED



	Fin. Sq.Ft.	UnFin. Sq.Ft.	Total Sq.Ft.
Single Level	1055	0	1055
Garage	0	190	190
Total	1055	190	1245

Shown length and width dimensions are approximate. Area sq.ft. is representative of the on-site measurements. (1" accuracy)



Figures, Calculations, and Representations are for indicative and promotional purpose only. VI Standard Real Estate Services Inc. will not be liable for any damages of any kind arising from the mis-use of this information.